

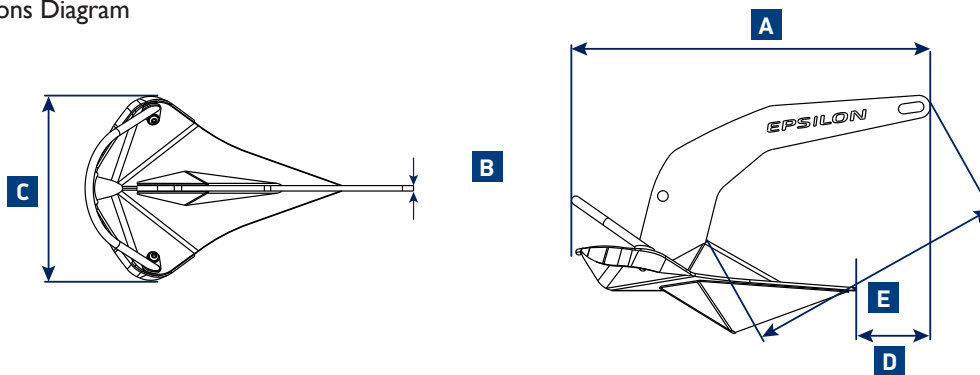


### Selection guide

ANCHOR WEIGHT		BOAT LENGTH OVERALL									
KG	LB	6 M 20 FT	9.2 M 30 FT	12.2 M 40 FT	15.2 M 50 FT	18.3 M 60 FT	21.3 M 70 FT	24.4 M 80 FT	27.4 M 90 FT		
6	14										
10	22										
16	35										
20	44										
25	55										
32	70										
40	88										
50	110										
63	140										

Lighter shading represents the upper limit of model. If in doubt, move up a model.  
This information is for guidance only, please consult the relevant Classification Society for specific certification requirements.

### Dimensions Diagram



### Epsilon™ Anchor Specifications

GALVANIZED	STAINLESS	ANCHOR WEIGHT		RECOMMENDED CHAIN SIZE		A		B		C		D		E	
		KG	LB	MM	IN	MM	IN	MM	IN	MM	IN	MM	IN	MM	IN
0057606	0057506	6	14	6-7	1/4	483	19	8	5/16	271	10 2/3	258	10 1/6	337	13 1/4
0057610	0057510	10	22	8	5/16	573	22 5/8	10	3/8	332	13	306	12	401	15 4/5
0057616	0057516	16	35	8	5/16	670	26 3/8	12	1/2	376	14 4/5	358	14	469	18 1/2
0057620	0057520	20	44	10	3/8	720	28 1/3	12	1/2	406	16	387	15 1/4	505	19 7/8
0057625	0057525	25	55	10	3/8	778	30 5/8	16	5/8	438	17 1/4	417	16 3/7	545	21 1/2
0057632	0057532	32	70	10	3/8	839	33	16	5/8	474	18 2/3	452	17 4/5	590	23 2/5
0057640	0057540	40	88	10	3/8	907	35 5/7	20	3/4	512	20 1/6	486	19 1/7	636	25
0057650	0057550	50	110	12	1/2	974	38 1/3	20	3/4	550	21 2/3	519	20 3/7	680	26 7/5
0057663	0057563	63	140	12	1/2	1049	41 2/7	22	7/8	595	23 3/7	562	22 1/8	736	29

Dimensions may subject to change