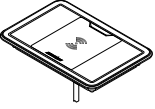


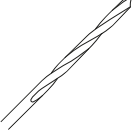
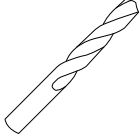


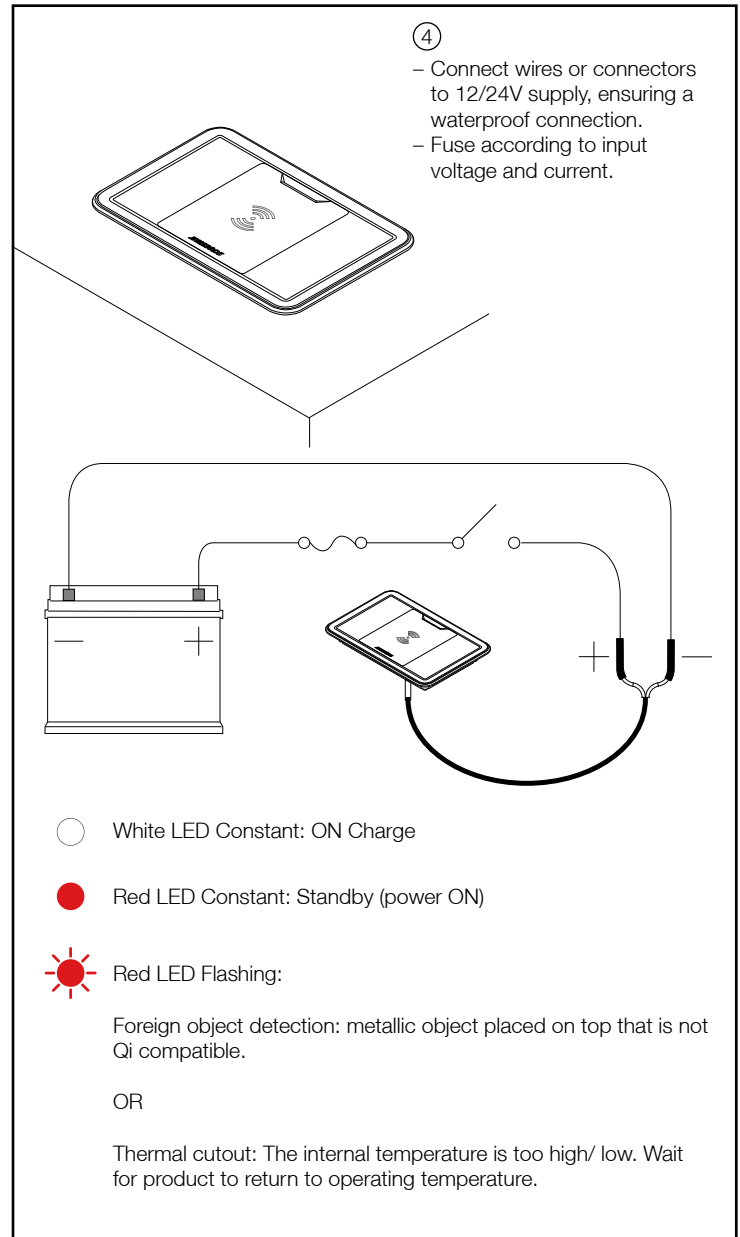
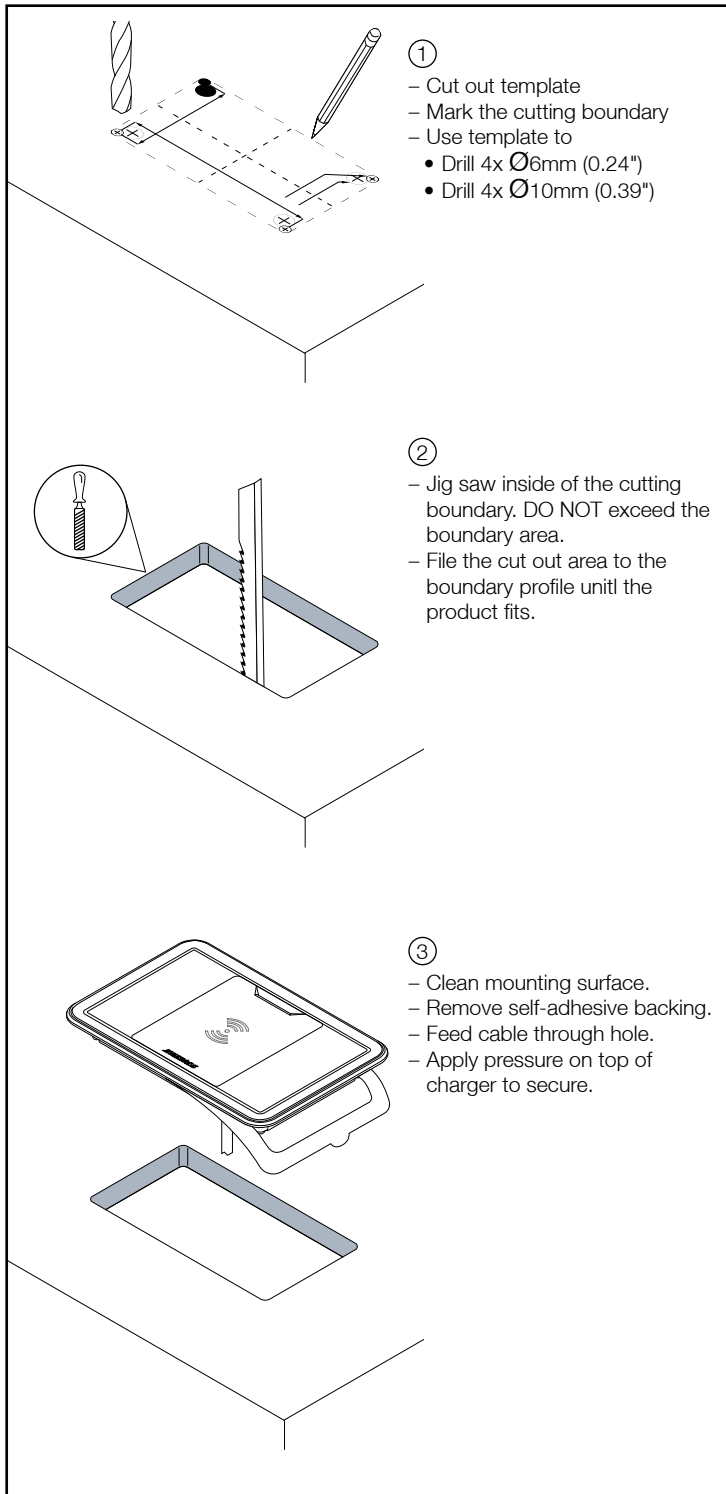
Part List	
	Surface 3 Coil x1

Tools Required	
	Jig Saw
	File
	Ø6mm (0.24")
	Ø10mm (0.39")

Technical	
IP Waterproof Rating	IPX6 Front and back
Input voltage	10-30V DC (12/24V System)
Input current max	2A
Output power max	15W (12V 1.25A)
Standby power max	<1.2W
Certification	CE, UKCA, FCC, ROHS, C-Tick, UN ECE R10, E24, PSE Certified



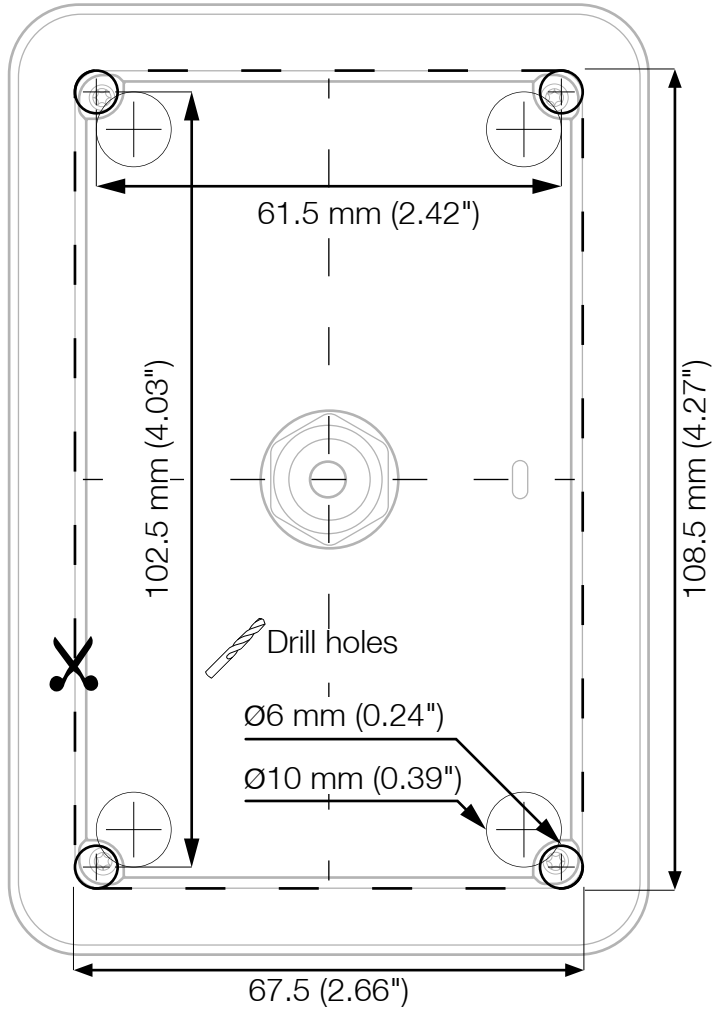
READ THE IMPORTANT SAFETY INFORMATION LEAFLET BEFORE INSTALLING.



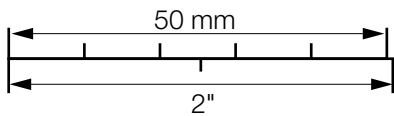
UK & International +44 (0)1392531280 sales@scanstrut.com
 For further installation and warranty information please visit: www.scanstrut.com
 USA +1 860 308 1416 usasales@scanstrut.com



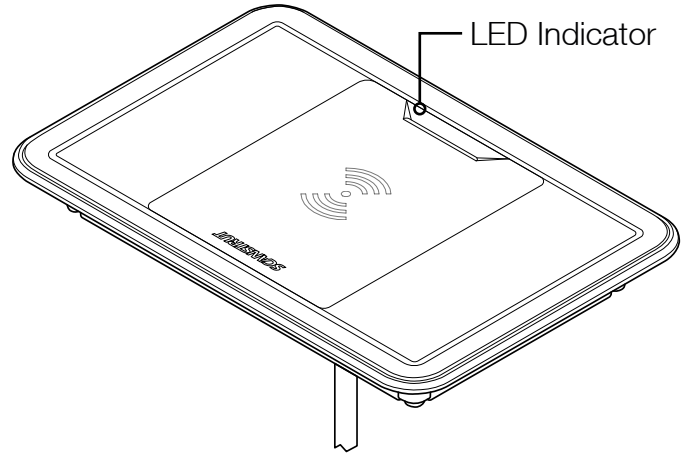
Cutting Template 1:1 Scale



Warning Check Scale

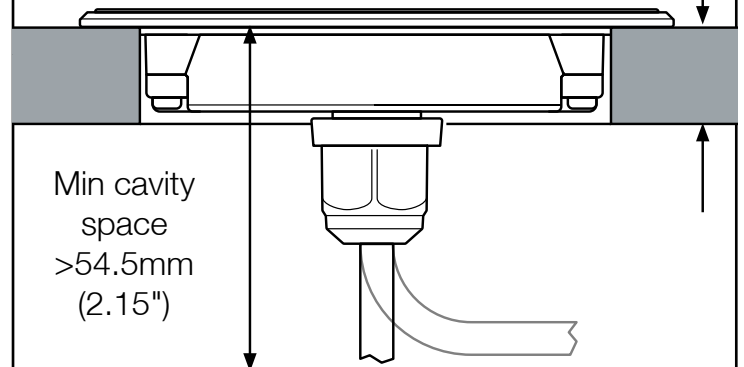


Print document 1:1 scale for correct cutting template size. Paper Size A4

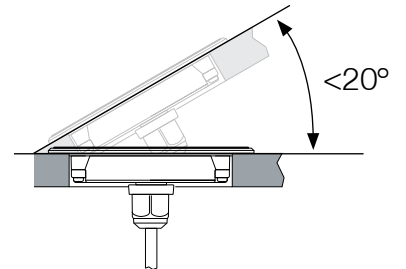


LED Indicator

Min mounting material thickness >3mm (0.1")



Max mounting angle for grip performance.



UK & International
+44 (0)1392531280
sales@scanstrut.com

For further installation
and warranty information
please visit:
www.scanstrut.com

USA
+1 860 308 1416
usasales@scanstrut.com