



Nuova Rade

Marine - Plastics Technology Experts

www.nuovarade.com

**60070
Blower & Battery for
Autonomous Solar Powered Fan
(1.2Volt)**

Installation Instructions

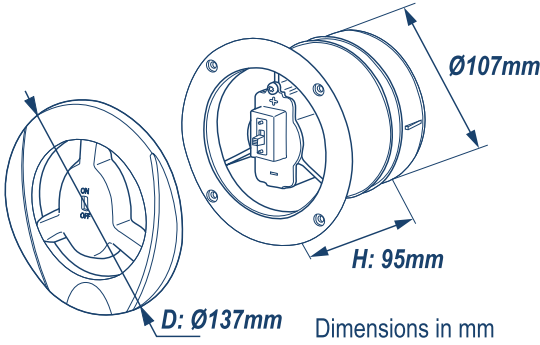
Technical Specifications:

BLOWER

- Operating Voltage: **0,4V-6V**
- Operating Current: **27mAh**
- Rated Load RPM: **300RPM**
- DC motor lifetime: **>3000hours**
- Air flow volume: **1000 L/min**
- Dimensions:
H: 95mm, D:137mm, Ø107mm
- Weight: **≈250gr**

BATTERY

- Capacity: **3000mAh**
- Size: **C**
- Max charge Voltage: **1.5V**
- Nominal Voltage: **1.2V**
- Discharge cut-off Voltage: **1V**
- Discharge rate: **0.2C**
- Working Temperature: **-10°C – 50°C**



Includes

- Ventilator body Ø107 with Fan and DC motor
- Ventilator grill Ø137
- On/Off switch
- 1,2V rechargeable battery, capacity 3000mAh
- 3meters PVC insulated cable
- WAGO connector
- Installation Instructions

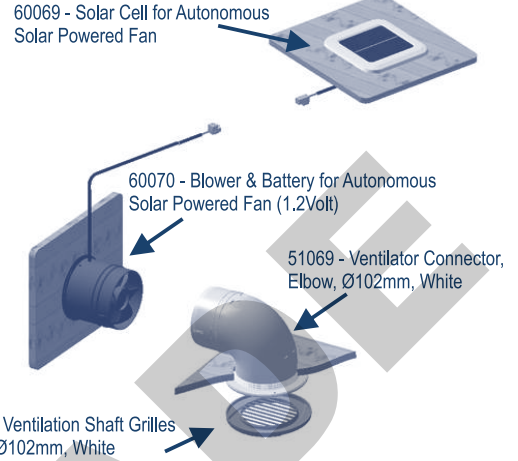
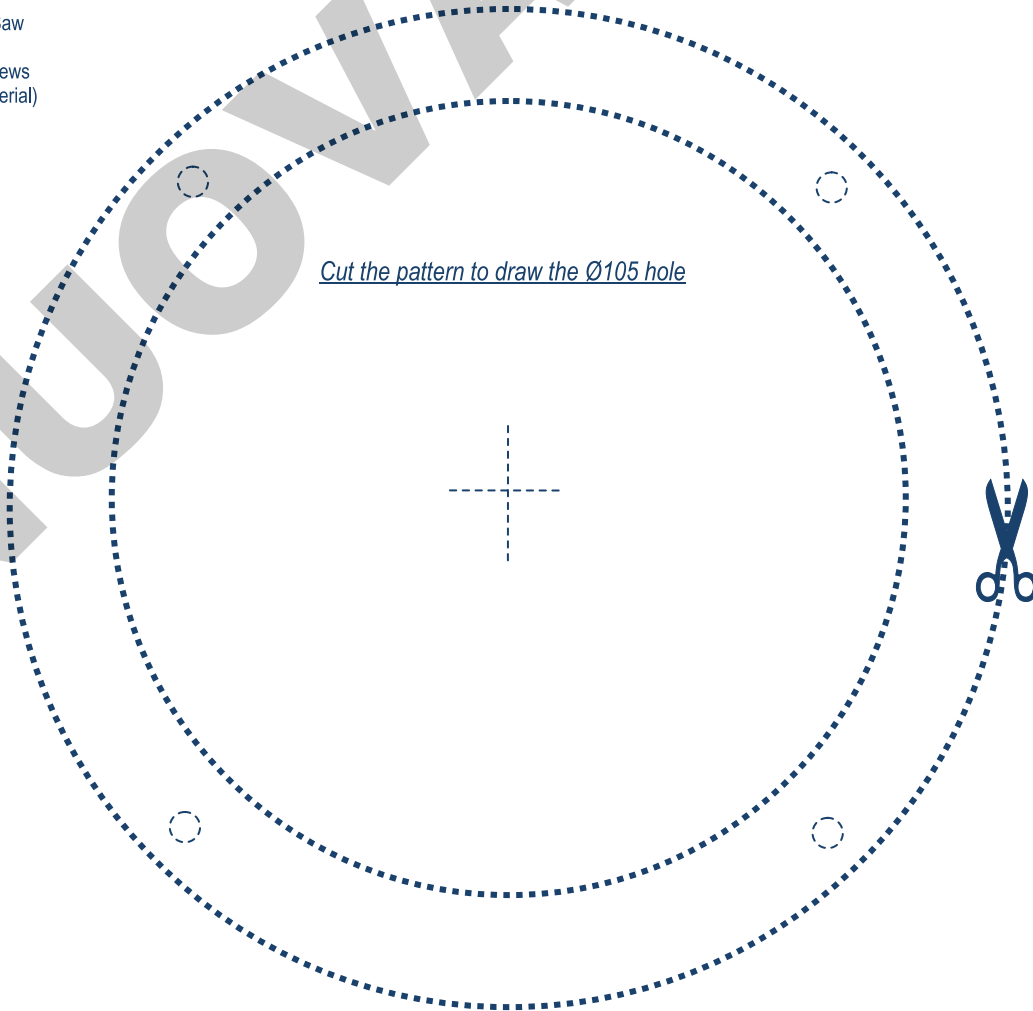
Extra Tools needed

- Electric Drill with 105mm Hole Saw
- Screw driver
- 4x M4self-tapping,Pan head screws (preferably of non corrosive material)



Picture:
M4 Self tapping
Pan Head screw

Drawing Pattern



Installation Instructions

1. Mark the desired position of the "Blower & Battery for Autonomous Solar Powered Fan (1.2Volt)" and screws by using the drawing pattern (ref. drawing pattern)
2. Saw the surface where the blower will be installed with appropriate tooling.
- Make sure there is no electrical wiring behind the drill point, to avoid short-circuit
- Make sure there is enough space behind the installation position (95mm depth)
3. Remove the Ventilator's front grill (unclip).
4. Pass the 3m cable, to connect it with the power supply.
5. Fit the blower to the hole and screw the 4x M4 screws.
6. Clip the Front grill of the Blower back in position

Recommended / Optional:

You can additionally add a Nuova Rade Connector For Ventilation Shaft fitted with a Nuova Rade Shaft grill (ref.code 51069, 51070, 60071), as well as our 60069- Solar Cell for Autonomous Solar Powered fan